

GW316-KLF Large Flange Knurled Threaded Insert

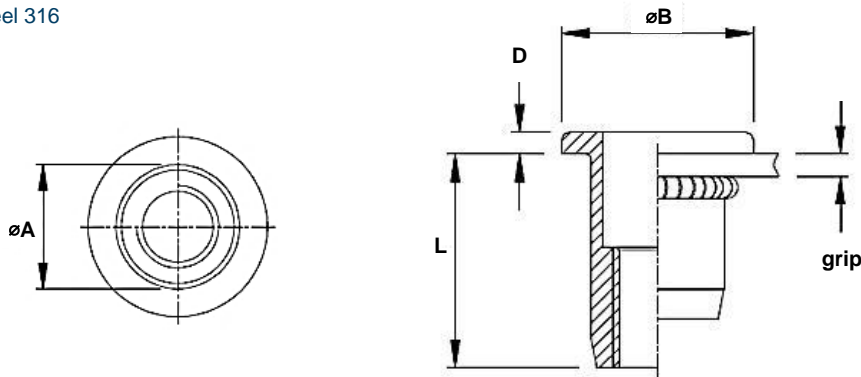
Stainless steel 316 · Large flange · Knurled · Open end
M4 - M10

Features

- Designed to provide load bearing threads in thin sheet materials
- Knurled body improves torque-to-turn resistance
- Large flange head provides a load bearing surface and reinforces the hole to prevent push-out
- Extra high corrosion resistance
- Closed end version available on request

Material

- Stainless steel 316



| Part No. | Thread Size | Grip Range | | Hole Size | $\varnothing A$ | $\varnothing B$ | D | L |
|-------------------|-------------|------------|------|-----------|-----------------|-----------------|------------|------------|
| | | min. | max. | +0.1 | -0.02/-0.15 | ± 0.35 | ± 0.15 | ± 0.35 |
| GW316-KLFM4-0520 | M4 | 0.5 | 2.0 | 6.0 | 6.0 | 9.0 | 1.0 | 12.0 |
| GW316-KLFM4-2035 | | 2.0 | 3.5 | | | | | 13.5 |
| GW316-KLFM5-0530 | M5 | 0.5 | 3.0 | 7.0 | 7.0 | 10.0 | 1.0 | 12.5 |
| GW316-KLFM5-3050 | | 3.0 | 5.0 | | | | | 16.0 |
| GW316-KLFM6-0530 | M6 | 0.5 | 3.0 | 9.0 | 9.0 | 12.0 | 1.5 | 16.0 |
| GW316-KLFM6-3050 | | 3.0 | 5.0 | | | | | 18.0 |
| GW316-KLFM6-5070 | | 5.0 | 7.0 | | | | | 20.0 |
| GW316-KLFM8-0530 | M8 | 0.5 | 3.0 | 11.0 | 11.0 | 15.0 | 1.5 | 17.5 |
| GW316-KLFM8-3055 | | 3.0 | 5.5 | | | | | 20.0 |
| GW316-KLFM10-0835 | M10 | 0.8 | 3.5 | 13.0 | 13.0 | 17.0 | 1.5 | 23.0 |
| GW316-KLFM10-3560 | | 3.5 | 6.0 | | | | | 25.5 |

| Thread Size | Max. torque | Pull-out | Torque-to-turn | Shear strength |
|-------------|-------------|----------|----------------|----------------|
| | Nm max. | Kn | Nm | kN |
| M4 | ~7.1 | > ~11.0 | ~2.6 | ~3.5 |
| M5 | > ~16.0 | > ~14.5 | ~3.0 | ~4.8 |
| M6 | > ~22.0 | > ~27.0 | ~6.8 | ~7.3 |
| M8 | > ~70.0 | > ~40.0 | ~9.0 | ~9.0 |
| M10 | > ~70.0 | > ~43.0 | ~13.0 | ~8.4 |